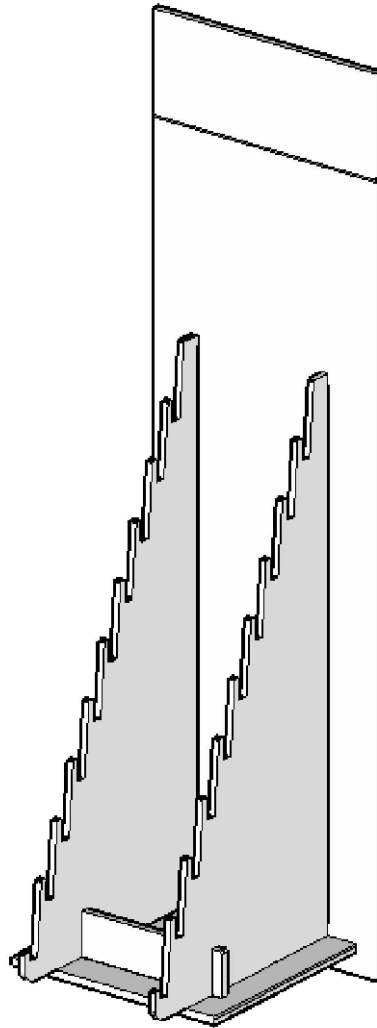


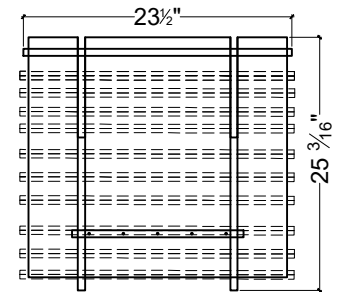
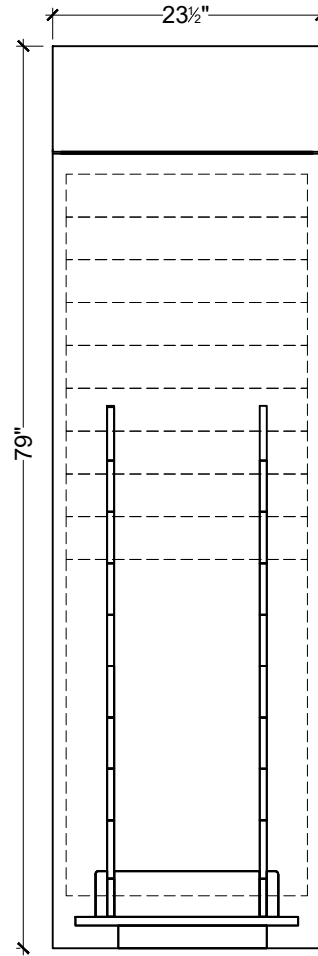
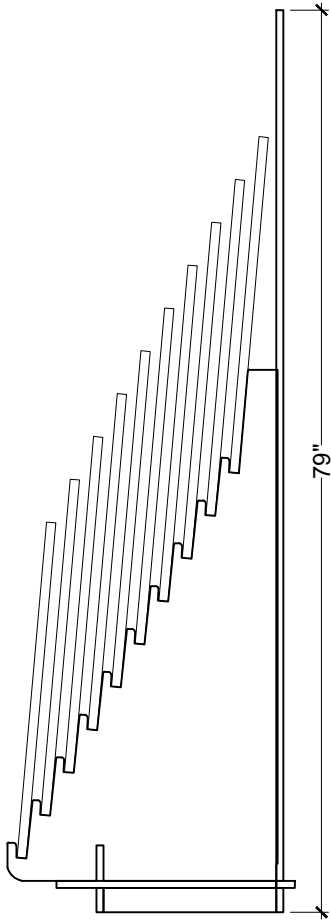
# DUCHATEAU Display System

The Guild Kindred SPC Vinyl Display Rack: Single Tower



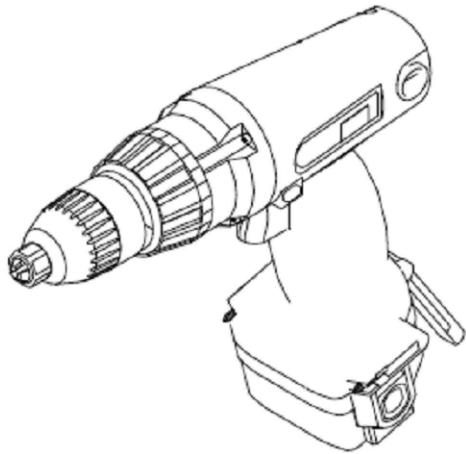
ASSEMBLY INSTRUCTIONS

# DIMENSIONS

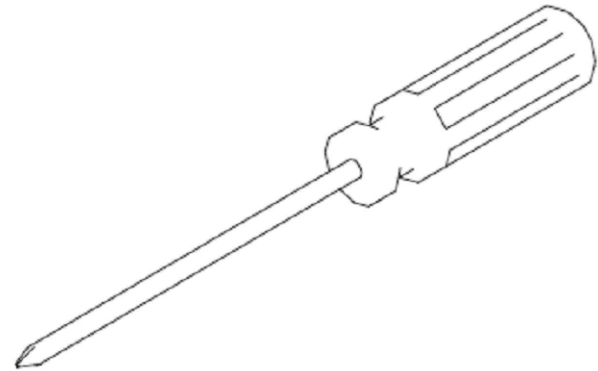


D I M E N S I O N S : 23-1/2" x 25-3/16" x 79"

## RECOMMENDED TOOLS

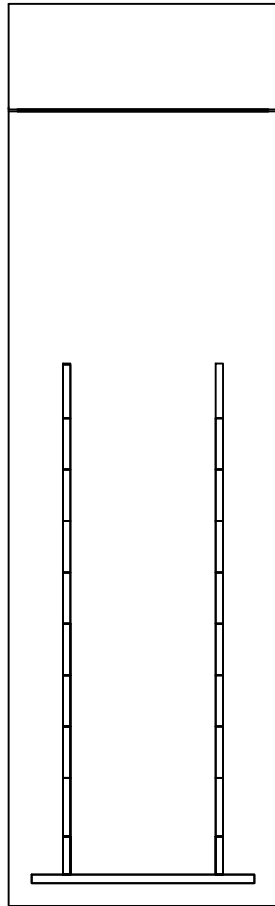


**DRILL**

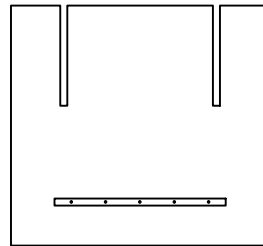


**SCREWDRIVER**

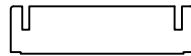
# PARTS



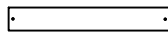
**DSRV-01**  
Display



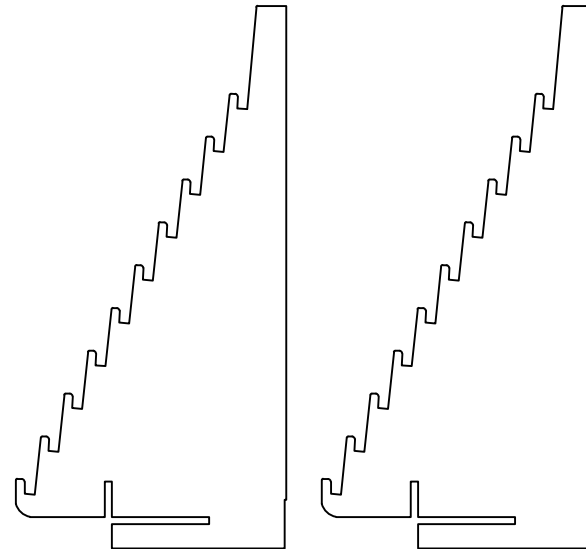
**DSRV-02**  
Base



**DSRV-04**  
Joint



**DSRV-05**  
Crossbar

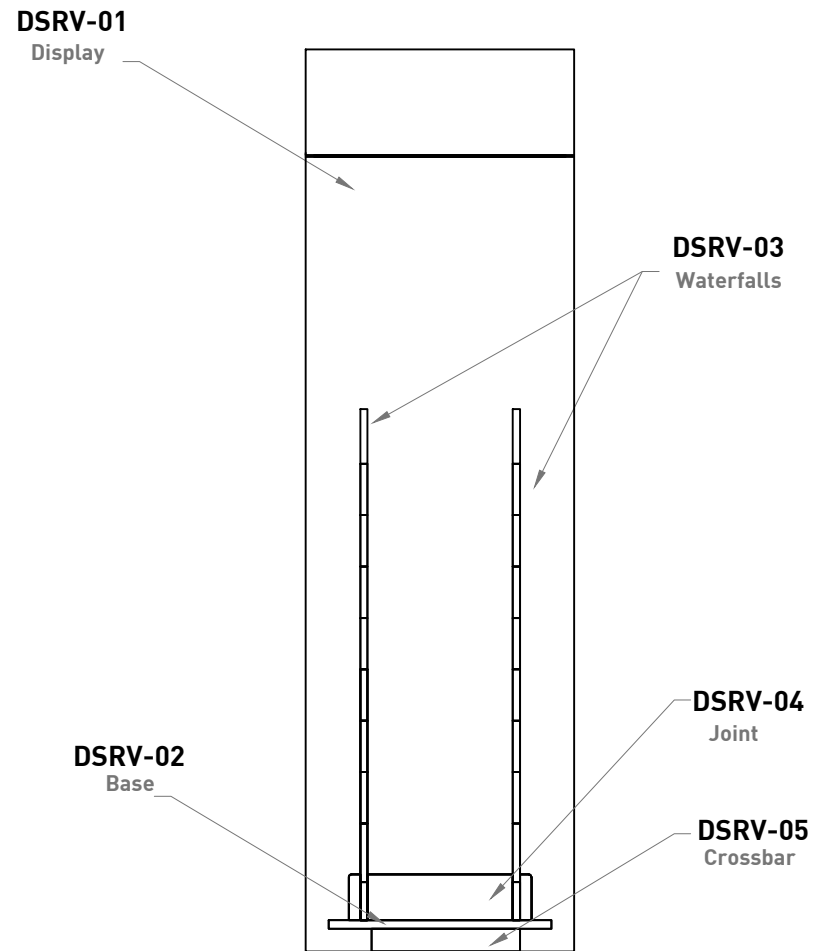


**DSRV-03**  
Waterfalls



**DSRV-06**  
Screw 1 1/2" (x17)

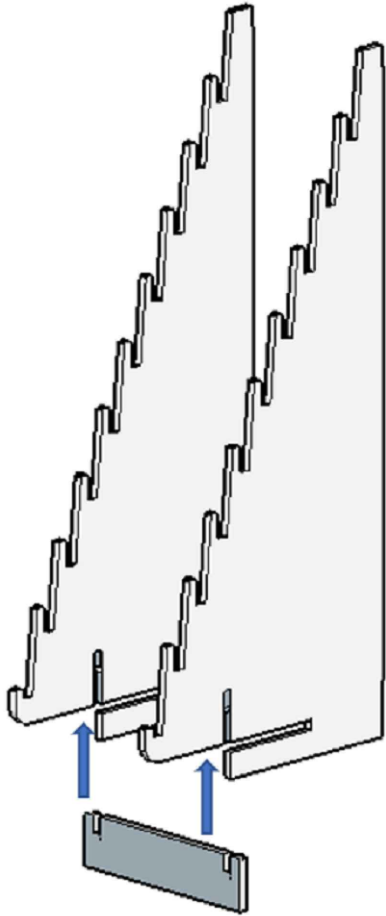
# PARTS



# ASSEMBLY

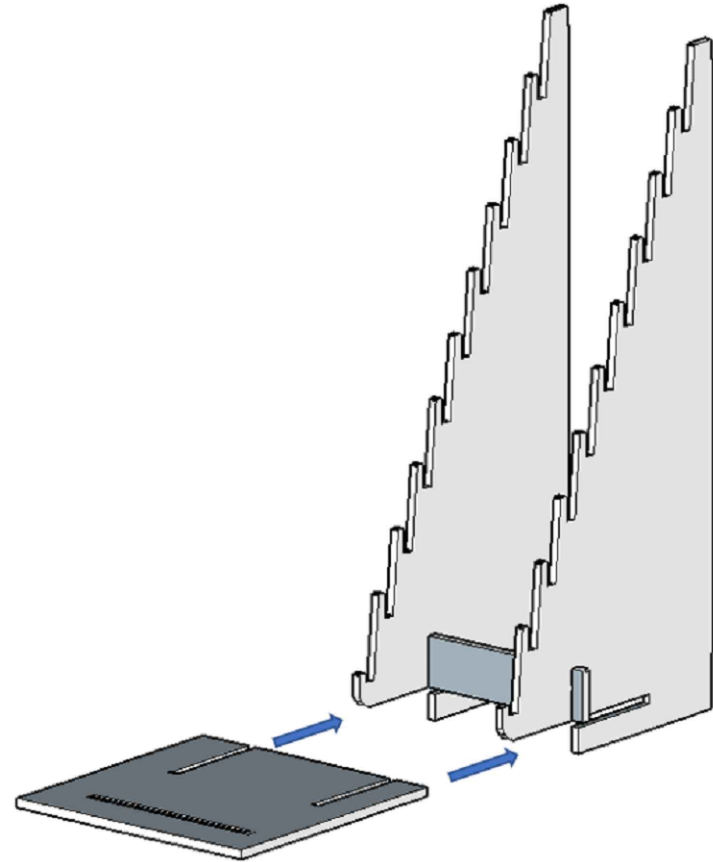
Place both joints into the vertical slots at the base of each waterfall piece.

1



Next, slide the base piece into the horizontal slots at the base of waterfall piece.

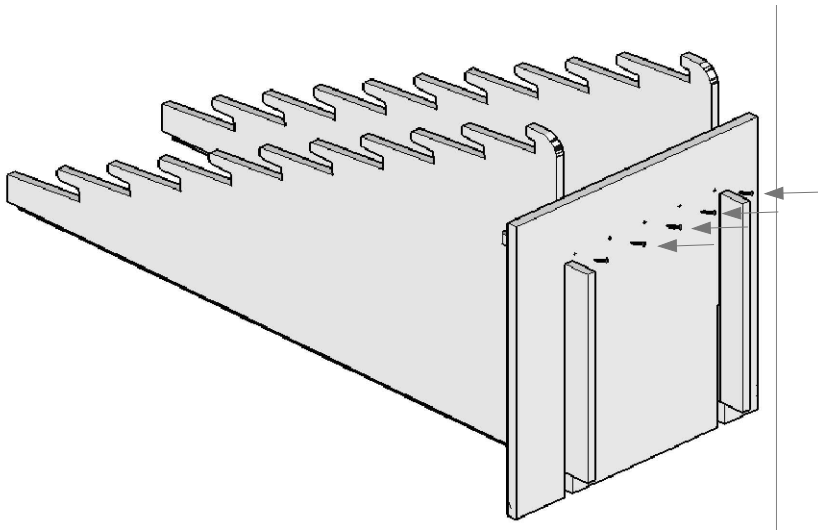
2



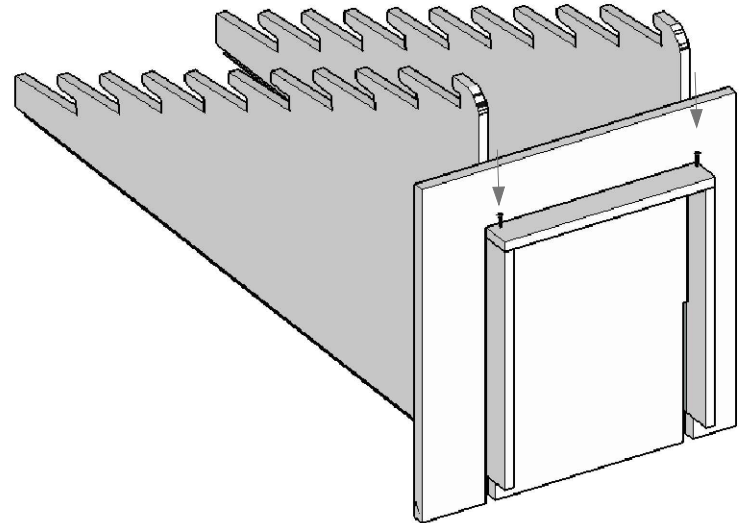
## ASSEMBLY

Next, place the display on the floor with the waterfall pieces facing up. Screw the base into the joint piece, using 5 included screws.

3



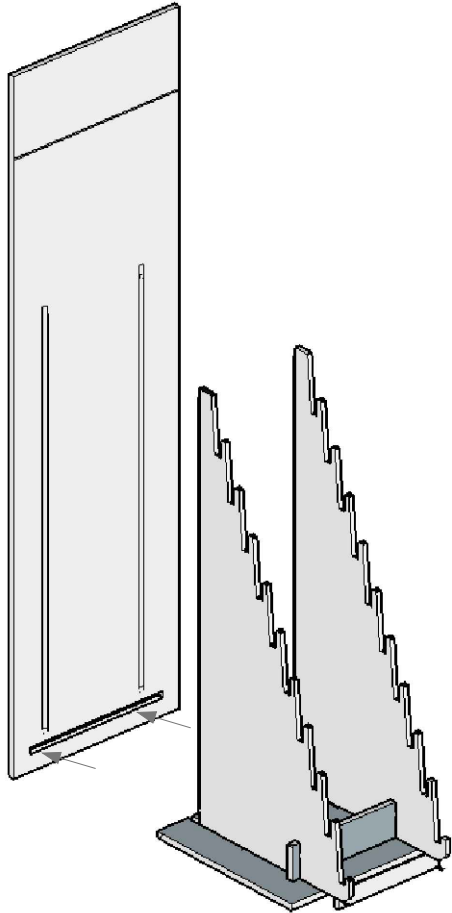
4



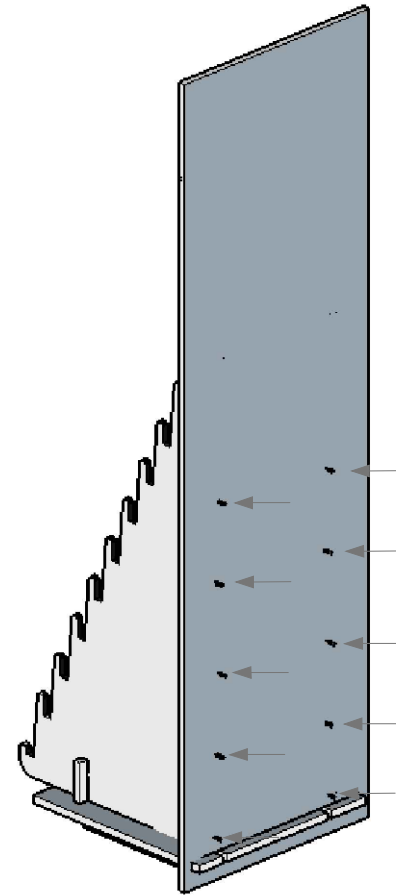
# ASSEMBLY

Place the display in an upright position. Insert the rear of the base into the slot on the display back. At the same time, line up each waterfall piece with the vertical slots.

5



6



# DUCHATEAU



# ASSEMBLY

Remove protective film from steel strip carefully.

7

